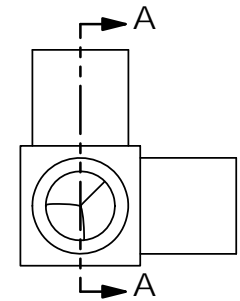
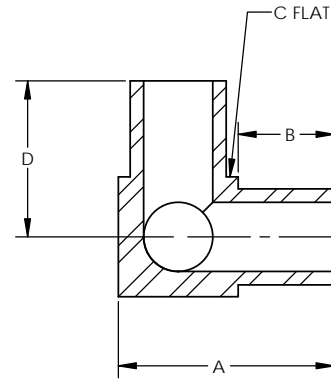


ORDERING NUMBER
5008 - X - X - X

PURITY
MATERIAL
TUBE SIZE

TUBE SIZE	TUBE ID	ORDERING NUMBER	DIMENSIONS			
			[A]	[B]	[C]	[D]
1/4	0.18	5008-4-X-X	0.56	0.25	5/16	0.41
3/8	0.30	5008-6-X-X	0.69		7/16	0.47
1/2	0.40	5008-8-X-X	0.81		9/16	0.53



SECTION A-A

MATERIAL DESIGNATORS

S = 316L SST SEMI F20
A = 316L
B = 316L SST SEMI F20 VIM/VAR
N = NICKEL 200
M = NICKEL 400
H = NICKEL ALLOY C22

PURITY DESIGNATORS

S = STANDARD FINISH
H = HIGH PURITY
U = ULTRA-HIGH PURITY

- NOTES:**
- DRAWINGS FOR SPECIFICATION PURPOSES AND ARE FOR REFERENCE ONLY.
 - ALL VERSIONS OF THE DRAWING ARE SUPERSEDED BY THIS RELEASE AND SUBJECT TO CHANGE WITHOUT NOTIFICATION.

EFFECTIVE DATE: 2/6/2017	<p>1003 INDUSTRIAL DRIVE SAUK RAPIDS, MN 56379 VOICE: 320-251-0390 FAX: 320-251-5810</p>
INTERPRET DRAWING PER: ASME Y14.5 - 2009	
THIRD ANGLE PROJECTION:	
PROPRIETARY AND CONFIDENTIAL THE INFORMATION CONTAINED IN THIS DRAWING IS THE SOLE PROPERTY OF TALON INNOVATIONS, INC. ANY REPRODUCTION IN PART OR AS A WHOLE WITHOUT THE WRITTEN PERMISSION OF TALON INNOVATIONS, INC. IS PROHIBITED.	DESCRIPTION: MINI TRIBOW
SIZE: C	PART NUMBER: 5008-X-X-X
DO NOT SCALE DRAWING	SCALE: 4:1 SHEET 1 OF 1