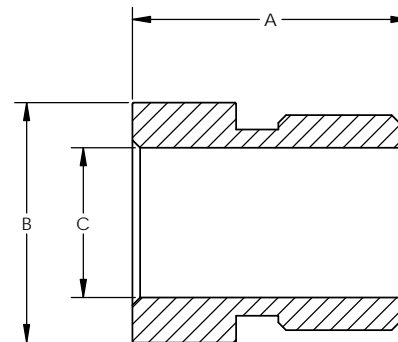
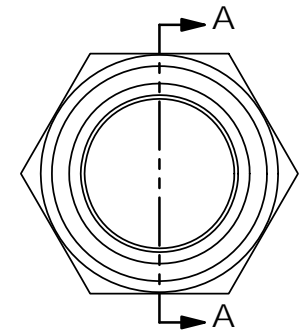


ORDERING NUMBER
5034 - 4
 FACE SEAL SIZE



| FACE SEAL SIZE | ORDERING NUMBER | DIMENSIONS | | |
|----------------|-----------------|------------|-----|------|
| | | [A] | [B] | [C] |
| 1/4 | 5034-4 | 0.72 | 5/8 | 0.39 |



SECTION A-A



NOTES:
 1. DRAWINGS FOR SPECIFICATION PURPOSES AND ARE FOR REFERENCE ONLY.
 2. ALL VERSIONS OF THE DRAWING ARE SUPERSEDED BY THIS RELEASE AND SUBJECT TO CHANGE WITHOUT NOTIFICATION.

| | |
|---|--|
| EFFECTIVE DATE: 2/6/2017 |  INNOVATION WITH PRECISION 1003 INDUSTRIAL DRIVE SAUK RAPIDS, MN 56379 VOICE: 320-251-0390 FAX: 320-251-5810 |
| INTERPRET DRAWING PER: ASME Y14.5 - 2009 | |
| THIRD ANGLE PROJECTION:  | |
| PROPRIETARY AND CONFIDENTIAL THE INFORMATION CONTAINED IN THIS DRAWING IS THE SOLE PROPERTY OF TALON INNOVATIONS, INC. ANY REPRODUCTION IN PART OR AS A WHOLE WITHOUT THE WRITTEN PERMISSION OF TALON INNOVATIONS, INC. IS PROHIBITED. | DESCRIPTION: HIGH FLOW MALE NUT, SIZE 1/4" |
| DO NOT SCALE DRAWING | SIZE: C SCALE: 4:1 PART NUMBER: 5034-4 SHEET 1 OF 1 |