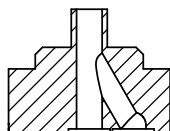
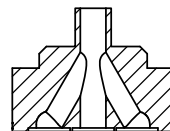


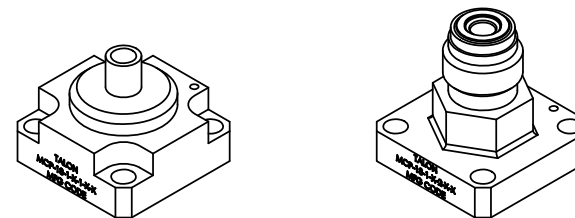
SECTION A-A



SECTION B-B

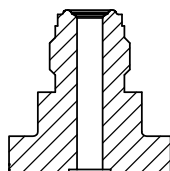
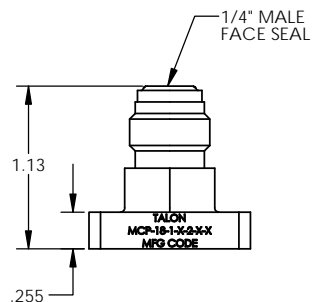
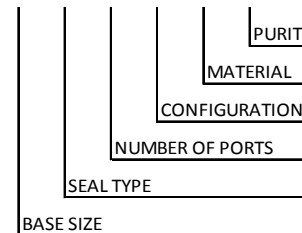


SECTION C-C

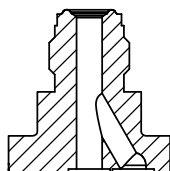


ORDERING NUMBER

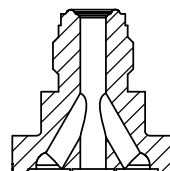
MCP - 18 - 1 - X - X - X - X



SECTION A-A

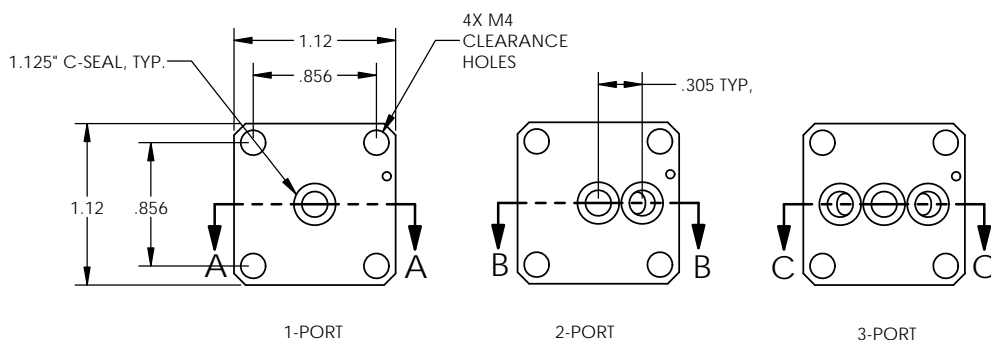


SECTION B-B



SECTION C-C

| BASE SIZE | SEAL TYPE | NUMBER OF PORTS | CONFIGURATION | ORDERING NUMBER |
|-----------|-----------|-----------------|---------------------|------------------|
| 1.125" | C-SEAL | 1-PORT | 1/4" TUBE STUB | MCP-18-1-1-1-X-X |
| | | | 1/4" MALE FACE SEAL | MCP-18-1-1-2-X-X |
| | | 2-PORTS | 1/4" TUBE STUB | MCP-18-1-2-1-X-X |
| | | | 1/4" MALE FACE SEAL | MCP-18-1-2-2-X-X |
| | | 3-PORTS | 1/4" TUBE STUB | MCP-18-1-3-1-X-X |
| | | | 1/4" MALE FACE SEAL | MCP-18-1-3-2-X-X |



1-PORT

2-PORT

3-PORT

MATERIAL DESIGNATORS

- S = 316L SST SEMI F20
- A = 316L
- B = 316L SST SEMI F20 VIM/VAR
- N = NICKEL 200
- M = NICKEL 400
- H = NICKEL ALLOY C22

PURITY DESIGNATORS

- S = STANDARD FINISH
- H = HIGH PURITY
- U = ULTRA-HIGH PURITY

- NOTES:
- DRAWINGS FOR SPECIFICATION PURPOSES AND ARE FOR REFERENCE ONLY.
 - ALL VERSIONS OF THE DRAWING ARE SUPERSEDED BY THIS RELEASE AND SUBJECT TO CHANGE WITHOUT NOTIFICATION.

| | | | | | |
|---|---|-------------------|---|------------|--------------|
| EFFECTIVE DATE: 10/16/2017 | <p>1003 INDUSTRIAL DRIVE SAUK RAPIDS, MN 56379 VOICE: 320-251-0390 FAX: 320-251-5810</p> | | | | |
| INTERPRET DRAWING PER: ASME Y14.5 - 2009 | | | | | |
| THIRD ANGLE PROJECTION: | | | | | |
| PROPRIETARY AND CONFIDENTIAL THE INFORMATION CONTAINED IN THIS DRAWING IS THE SOLE PROPERTY OF TALON INNOVATIONS, INC. ANY REPRODUCTION IN PART OR AS A WHOLE WITHOUT THE WRITTEN PERMISSION OF TALON INNOVATIONS, INC. IS PROHIBITED. | DESCRIPTION: MODULAR COMPONENT PORT 1.125" C-SEAL | | | | |
| DO NOT SCALE DRAWING | <table border="1"> <tr> <td>SIZE: C</td> <td>PART NUMBER: MCP-18-1-X-X-X-X</td> </tr> <tr> <td>SCALE: 3:2</td> <td>SHEET 1 OF 1</td> </tr> </table> | SIZE: C | PART NUMBER: MCP-18-1-X-X-X-X | SCALE: 3:2 | SHEET 1 OF 1 |
| SIZE: C | PART NUMBER: MCP-18-1-X-X-X-X | | | | |
| SCALE: 3:2 | SHEET 1 OF 1 | | | | |