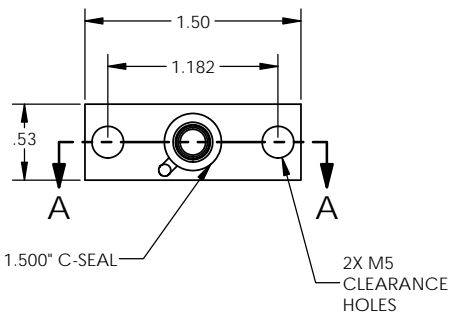


ORDERING NUMBER

MFC-PLUG - 24 - 2 - X - X

	PURITY
	MATERIAL
	SEAL TYPE
	BASE SIZE



MATERIAL DESIGNATORS

S = 316L SST SEMI F20
 A = 316L
 B = 316L SST SEMI F20 VIM/VAR
 N = NICKEL 200
 M = NICKEL 400
 H = NICKEL ALLOY C22

PURITY DESIGNATORS

S = STANDARD FINISH
 H = HIGH PURITY
 U = ULTRA-HIGH PURITY

NOTES:
 1. DRAWINGS FOR SPECIFICATION PURPOSES AND ARE FOR REFERENCE ONLY.
 2. ALL VERSIONS OF THE DRAWING ARE SUPERSEDED BY THIS RELEASE AND SUBJECT TO CHANGE WITHOUT NOTIFICATION.

EFFECTIVE DATE: 10/16/2017	 TALON <small>INNOVATION WITH PRECISION</small>	1003 INDUSTRIAL DRIVE SAUK RAPIDS, MN 56379 VOICE: 320-251-0390 FAX: 320-251-5810
INTERPRET DRAWING PER: ASME Y14.5 - 2009		
THIRD ANGLE PROJECTION		
PROPRIETARY AND CONFIDENTIAL THE INFORMATION CONTAINED IN THIS DRAWING IS THE SOLE PROPERTY OF TALON INNOVATIONS, INC. ANY REPRODUCTION IN PART OR AS A WHOLE WITHOUT THE WRITTEN PERMISSION OF TALON INNOVATIONS, INC. IS PROHIBITED.	DESCRIPTION: MFC-PLUG 1.500" W-SEAL	PART NUMBER: MFC-PLUG-24-2-X-X
DO NOT SCALE DRAWING	SCALE: 3:2	SHEET 1 OF 1