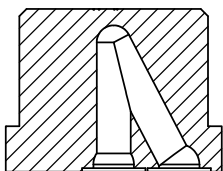
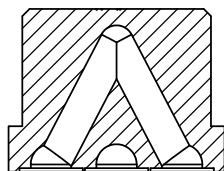


ORDERING NUMBER
MTC - 24HF - 1 - XX - X - X

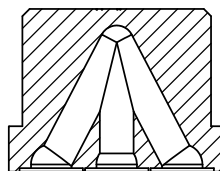
PURITY
MATERIAL
NUMBER OF PORTS
CONFIGURATION (OPT.)
SEAL TYPE
BASE SIZE



SECTION A-A

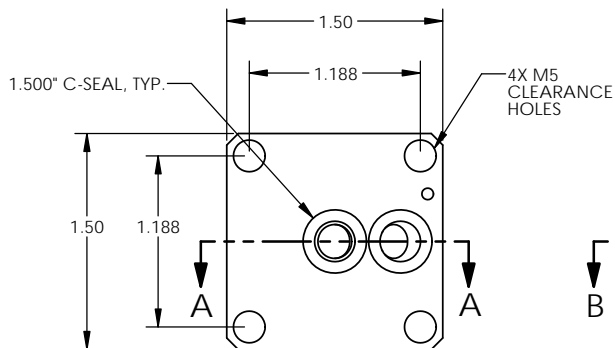


SECTION B-B

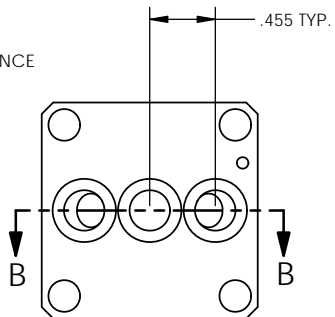


SECTION C-C

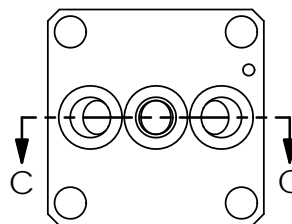
BASE SIZE	SEAL TYPE	NUMBER OF PORTS	CONFIGURATION	ORDERING NUMBER
1.500" HF	C-SEAL	2-PORTS	---	MTC-24HF-1-2-X-X
		3-PORTS	BLANK	MTC-24HF-1-3B-X-X
			CONNECTED	MTC-24HF-1-3C-X-X



2-PORT



3-PORT, BLIND



3-PORT, CONNECTED

MATERIAL DESIGNATORS

- S = 316L SST SEMI F20
- A = 316L
- B = 316L SST SEMI F20 VIM/VAR
- N = NICKEL 200
- M = NICKEL 400
- H = NICKEL ALLOY C22

PURITY DESIGNATORS

- S = STANDARD FINISH
- H = HIGH PURITY
- U = ULTRA-HIGH PURITY

NOTES:
1. DRAWINGS FOR SPECIFICATION PURPOSES AND ARE FOR REFERENCE ONLY.
2. ALL VERSIONS OF THE DRAWING ARE SUPERSEDED BY THIS RELEASE AND SUBJECT TO CHANGE WITHOUT NOTIFICATION.

EFFECTIVE DATE: 10/16/2017	<p>1003 INDUSTRIAL DRIVE SAUK RAPIDS, MN 56379 VOICE: 320-251-0390 FAX: 320-251-5810</p>
INTERPRET DRAWING PER: ASME Y14.5 - 2009	
THIRD ANGLE PROJECTION:	
PROPRIETARY AND CONFIDENTIAL THE INFORMATION CONTAINED IN THIS DRAWING IS THE SOLE PROPERTY OF TALON INNOVATIONS, INC. ANY REPRODUCTION IN PART OR AS A WHOLE WITHOUT THE WRITTEN PERMISSION OF TALON INNOVATIONS, INC. IS PROHIBITED.	DESCRIPTION: MODULAR TOP CAP 1.500" HF C-SEAL
DO NOT SCALE DRAWING	SIZE: C SCALE: 3:2 PART NUMBER: MTC-24HF-1-XX-X-X SHEET 1 OF 1