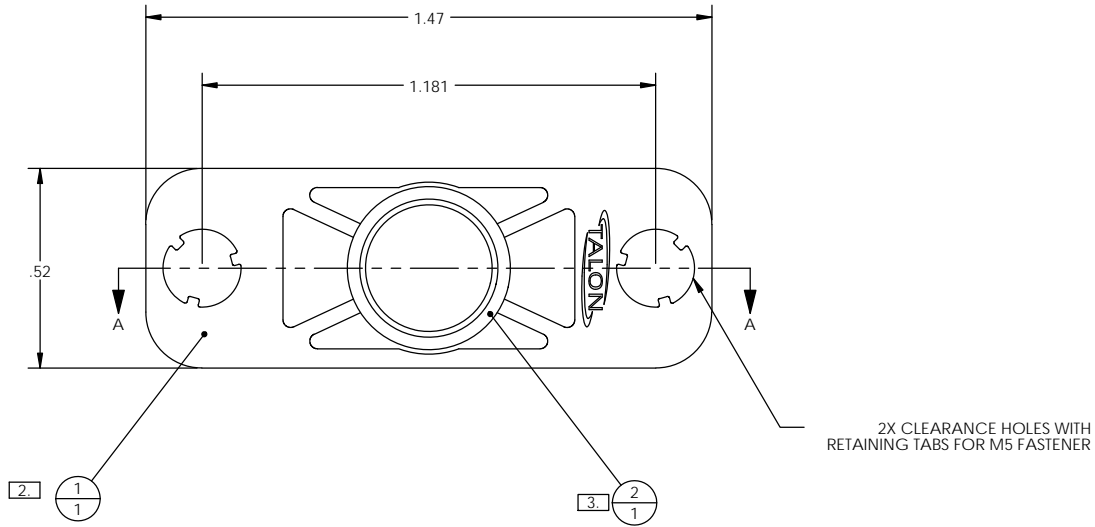
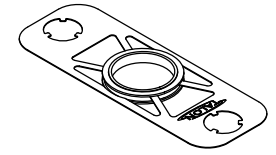


ITEM NO.	QTY.	DESCRIPTION
1	1	TMX 1.5" HF RETAINER PLATE
2	1	TMX HF C-SEAL



DETAIL B
SCALE 14 : 1



SECTION A-A

- NOTES:
 1. DRAWINGS FOR SPECIFICATION PURPOSES AND ARE FOR REFERENCE ONLY. ALL VERSIONS OF THE DRAWING ARE SUPERSEDED BY THIS RELEASE.
 2. MATERIAL: 316L SST.
 3. MATERIAL: 316L SST, SEMI F20, VIM/VAR.

EFFECTIVE DATE: 2/6/2017		 INNOVATION WITH PRECISION	1003 INDUSTRIAL DRIVE SAUK RAPIDS, MN 56379 VOICE: 320-251-0390 FAX: 320-251-5810
INTERPRET DRAWING PER: ASME Y14.5 - 2009			
THIRD ANGLE PROJECTION			
PROPRIETARY AND CONFIDENTIAL THE INFORMATION CONTAINED IN THIS DRAWING IS THE SOLE PROPERTY OF TALON INNOVATIONS, INC. ANY REPRODUCTION IN PART OR AS A WHOLE WITHOUT THE WRITTEN PERMISSION OF TALON INNOVATIONS, INC. IS PROHIBITED.		DESCRIPTION: TMX 1.5" HF C-SEAL ASSY MFC	
SIZE C	PART NUMBER: TMX-24HF-01-S		
DO NOT SCALE DRAWING		SCALE: 4:1	SHEET 1 OF 1