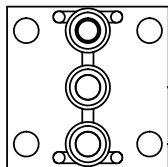


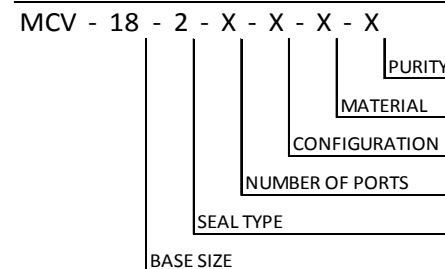
2-PORT, SIDE



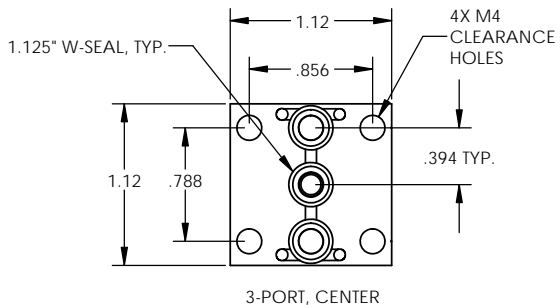
3-PORT, SIDE



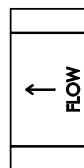
ORDERING NUMBER



BASE SIZE	SEAL TYPE	NUMBER OF PORTS	CONFIGURATION	ORDERING NUMBER
1.125"	W-SEAL	2-PORTS	SIDE	MCV-18-2-2-1-X-X
		3-PORTS	SIDE	MCV-18-2-3-1-X-X
			CENTER	MCV-18-2-3-2-X-X



3-PORT, CENTER

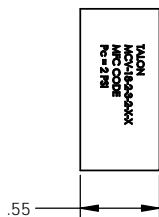


MATERIAL DESIGNATORS

- S = 316L SST SEMI F20
- A = 316L
- B = 316L SST SEMI F20 VIM/VAR
- N = NICKEL 200
- M = NICKEL 400
- H = NICKEL ALLOY C22

PURITY DESIGNATORS

- S = STANDARD FINISH
- H = HIGH PURITY
- U = ULTRA-HIGH PURITY



- NOTES:
- DRAWINGS FOR SPECIFICATION PURPOSES AND ARE FOR REFERENCE ONLY.
 - ALL VERSIONS OF THE DRAWING ARE SUPERSEDED BY THIS RELEASE AND SUBJECT TO CHANGE WITHOUT NOTIFICATION.

EFFECTIVE DATE: 2/6/2017	 1003 INDUSTRIAL DRIVE SAUK RAPIDS, MN 56379 VOICE: 320-251-0390 FAX: 320-251-5810
INTERPRET DRAWING PER: ASME Y14.5 - 2009	
THIRD ANGLE PROJECTION:	DESCRIPTION: MODULAR CHECK VALVE 1.125" W-SEAL
PROPRIETARY AND CONFIDENTIAL THE INFORMATION CONTAINED IN THIS DRAWING IS THE SOLE PROPERTY OF TALON INNOVATIONS, INC. ANY REPRODUCTION IN PART OR AS A WHOLE WITHOUT THE WRITTEN PERMISSION OF TALON INNOVATIONS, INC. IS PROHIBITED.	SIZE: C PART NUMBER: MCV-18-2-X-X-X-X
DO NOT SCALE DRAWING	SCALE: 3:2 SHEET 1 OF 1