

BASE SIZE	SEAL TYPE	NUMBER OF PORTS	ACTUATION TYPE	ORDERING NUMBER
1.125"	C-SEAL	2-PORTS	PNEUMATIC N.C.	MDV-18-1-2-03-X-X-X
		3-PORTS		MDV-18-1-3-03-X-X-X

**SEAT MATERIAL DESIGNATORS**

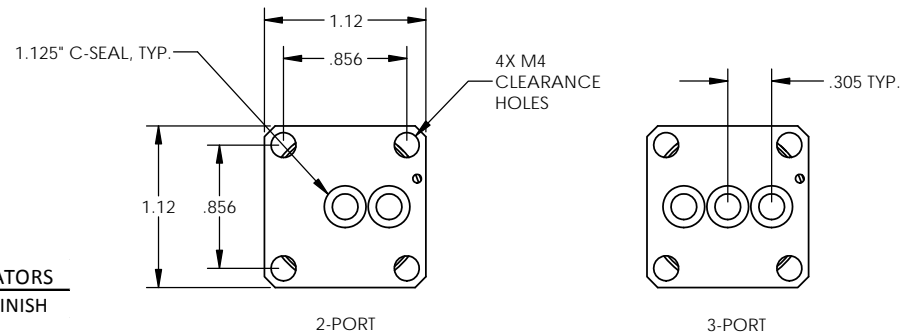
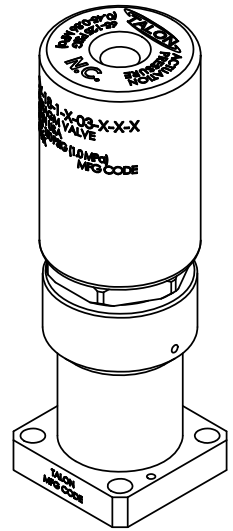
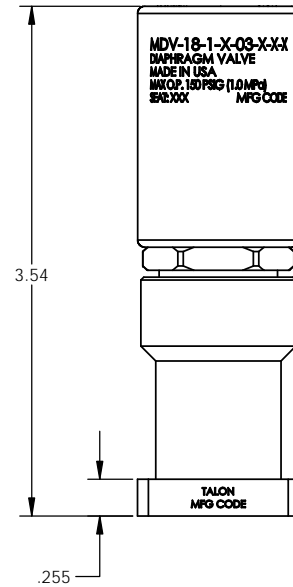
- K = PCTFE (KEL-F®)
- V = VESPEL®
- P = PEEK™
- F = PFA / ASTM D3307, TYPE II

**MATERIAL DESIGNATORS**

- S = 316L SST SEMI F20
- A = 316L
- N = NICKEL 200
- M = NICKEL 400
- H = NICKEL ALLOY C22

**PURITY DESIGNATORS**

- S = STANDARD FINISH
- H = HIGH PURITY
- U = ULTRA-HIGH PURITY



NOTES:  
 1. DRAWINGS FOR SPECIFICATION PURPOSES AND ARE FOR REFERENCE ONLY.  
 2. ALL VERSIONS OF THE DRAWING ARE SUPERSEDED BY THIS RELEASE AND SUBJECT TO CHANGE WITHOUT NOTIFICATION.

EFFECTIVE DATE: 10/16/2017	<p>1003 INDUSTRIAL DRIVE SAUK RAPIDS, MN 56379 VOICE: 320-251-0390 FAX: 320-251-5810</p>
INTERPRET DRAWING PER: ASME Y14.5-2009	
THIRD ANGLE PROJECTION	
PROPRIETARY AND CONFIDENTIAL THE INFORMATION CONTAINED IN THIS DRAWING IS THE SOLE PROPERTY OF TALON INNOVATIONS, INC. ANY REPRODUCTION IN PART OR AS A WHOLE WITHOUT THE WRITTEN PERMISSION OF TALON INNOVATIONS, INC. IS PROHIBITED.	DESCRIPTION: <b>MDV, 1.125" C-SEAL, PNEUMATIC N.C.</b>
SIZE: <b>C</b>	PART NUMBER: <b>MDV-18-1-X-03-X-X-X</b>
DO NOT SCALE DRAWING	SCALE: 3:2
	SHEET 1 OF 1